

# Scope Wonder

Ever wonder where light is coming from? Scope Wonder Downlight epitomizes this phenomena featuring super low UGR (glare) values. This fixture is designed not to be seen! The 3" offering provides an incredibly wide selection of finishes, mounting options and sources and technology including the release of our INK tunable white source in 2 dynamic ranges.

PROJECT:

TYPE:

SPECIFIER:

DATE:

## Key Points (SCW3D-S)

### Trim

- Machined aluminum Body in USA
- 4 trim bezel color options
- 40 flange color options + custom RAL
- Flange or flangeless

### Source / Optics

- UGR values <= 13 (considered excellent)
- Field changable optics
- 3 beam spreads - 20°, 24° and 38°
- Up to 1479 delivered lumens
- <2 MacAdams Ellipses (<2 SDCM)
- 90+ CRI, 60+ R9 Standard; 95+ CRI, 90+ R9 available with Ambient Dim option
- 2700K, 3000K, 3500K, 4000K, Ambient Dim (1900K to 3000K) and Tunable White with 2 available ranges (1800 to 4000K and 2700 to 6500K)

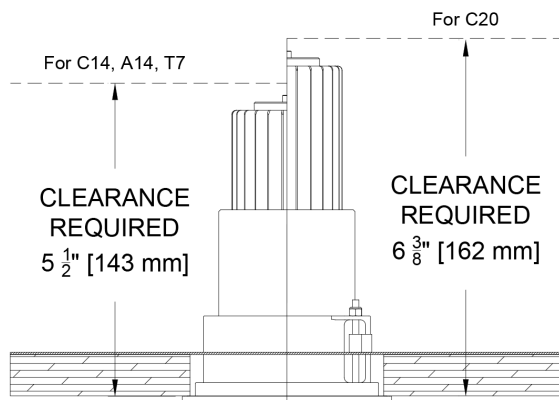
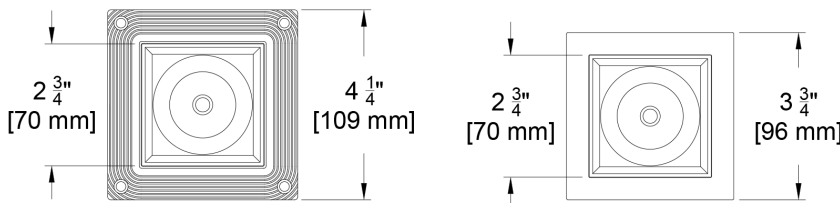
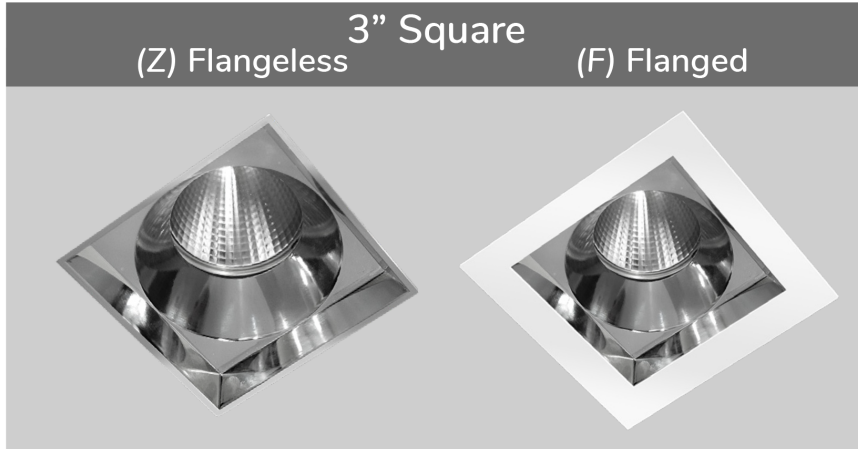
- **TITLE 24** Source supports California Title 24 Requirements to JA8
- Lifetime: L87B3>55,000 hours at 40°C Ambient (for fixed white)

### Housing

- Remodel or millwork option available
- **TITLE 24** IC Rated / airtight housing approved for use in direct contact with insulation, Chicago Plenum Available and meets CA Title 24
- 2 pan options IC rated for use in direct contact with insulation (not for spray foam)

### Driver And Control

- Drivers are integral with fixtures unless noted as remote mount with \* in ordering code options. "K can" type drivers do not fit through the 3" hole
- TruPhase™, 0-10, DALI-2, Ecosystem or Wireless Control
- Flicker free to IEEE 1789-2015 available with EldoLED and TruPhase™ selections
- Universal 120-277v



Square Standard Size (Z)  
(See page 4 for Details)

SQUARE Beamspreads	System watts (W)	Delivered Lumens (lm)	20°				24°				36°					
			Lumens/Watt	UGR	Peak (fc)	10% Field	Delivered Lumens (lm)	Lumens/Watt	UGR	Peak (fc)	10% Field	Delivered Lumens (lm)	Lumens/Watt	UGR	Peak (fc)	10% Field
Citizen C14	14	1078	77	12	6599	40°	1013	72	12	5501	42°	1075	77	13	3375	49°
Citizen C20	21	1479	70	13	9257	40°	1389	66	13	7576	41°	1478	70	13	4633	49°
Ambient Dim A14	15	750	51	13	5586	38°	668	46	12	4240	39°	739	51	13	2949	46°
Tunable White - 1840	10	491	52	13	2967	40°	466	49	13	2374	42°	490	52	12	1525	48°
Tunable White - 2765	10	640	67	11	3786	41°	595	63	7	3060	42	649	68	10	1953	49°

# Ordering Codes

PROJECT:

SPECIFIER:

DATE:

TYPE:

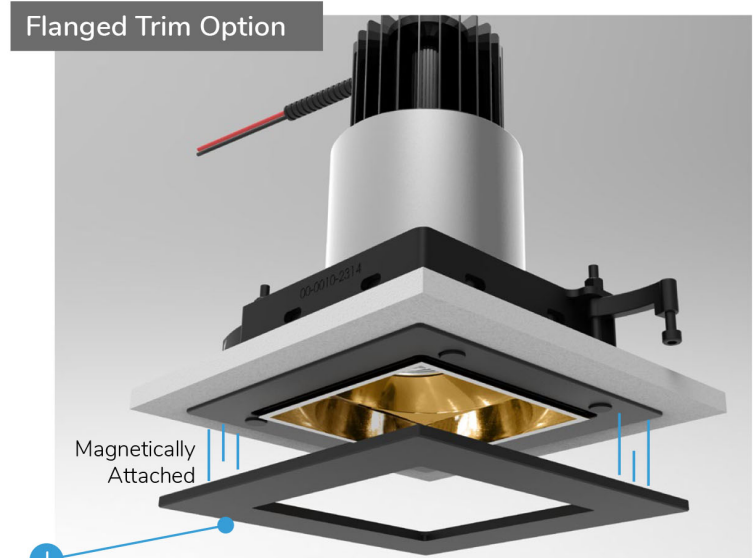
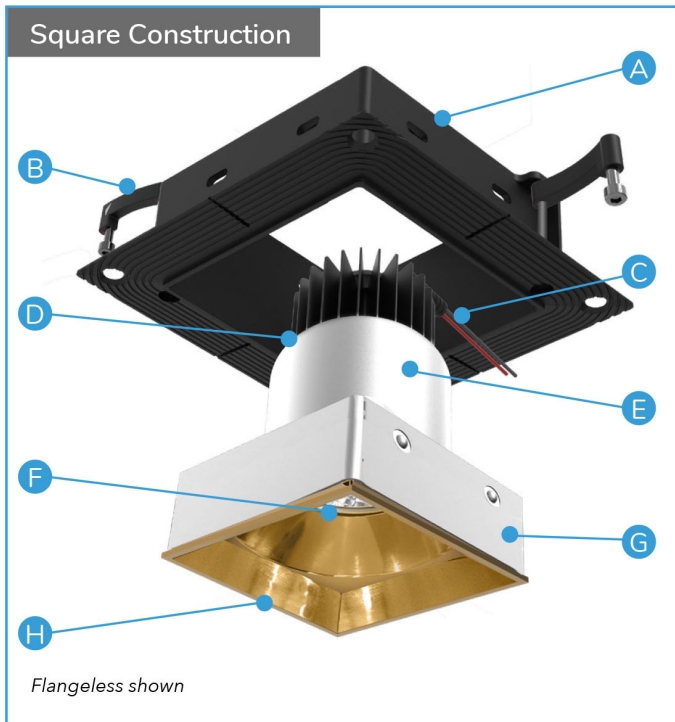
QUANTITY:

Ordering Code Example: SCW3D-S-Z-BP-A14-AD-36-E2-V01-A01

FIXTURE	TRIM	MOUNTING	SOURCE / WATTS	CCT	BEAM	DRIVER / CONTROL	BEZEL FINISH	TRIM FINISH	ACCESSORIES
<p>SCW3D-S</p> <p>Scope Wonder 3" Downlight - Square</p>	<p>F Flanged Trim</p> <p>Z Flangeless Trim</p>	<p>NP New Pan (IC rated) for mounting to bottom of studs<sup>^</sup></p> <p>BP Bracket Pan (IC Rated) for mounting with hanger bars to studs or T-bar<sup>^</sup></p> <p>AT  Airtight Housing<sup>*</sup></p> <p>PM Panel Mount<sup>§</sup></p> <p>RM Remodel mounts direct to ceiling - Wing Springs for flanged and drywall anchors for flangeless</p> <p> Supports CA Title 24 Compliance to JA8 Requirements</p> <p><sup>*</sup> Chicago Plenum available with AT</p> <p><sup>^</sup> Not Airtight, Not for use with spary foam</p> <p><sup>§</sup> Must be used with flangeless trims.</p>	<p>Citizen</p> <p>C14  14W 1078Lm<sup>*</sup> 90+CRI, 60+R9</p> <p>C20  21W 1479Lm<sup>*</sup> 90+CRI, 60+R9</p> <p>Ambient Dim™</p> <p>A14  15W 750Lm<sup>*</sup> 95+CRI, 90+R9 3000 to 1900K</p> <p>Ink™</p> <p>T7  10W 640Lm<sup>^^</sup> 90+CRI, 70+R9 Tunable White+</p> <p> Supports CA Title 24 Compliance to JA8 Requirements</p> <p><sup>*</sup> Based on 20° beam</p> <p><sup>^</sup> Based on 2765 CCT measurement</p> <p>+LTT or EldoLED driver selection required and will be supplied with 2 Channel version</p> <p><a href="#">View Photometry</a></p>	<p>27 2700K</p> <p>30 3000K</p> <p>35 3500K</p> <p>40 4000K</p> <p>Ambient Dim™</p> <p>AD 1900-3000K</p> <p>Ink™</p> <p>1840 1800-4000K Tunable White</p> <p>2765 2700-6500K Tunable White</p>	<p>20 Spot</p> <p>24 Narrow Flood</p> <p>36 Flood</p>	<p>C1 0-10 1.0%, UNV (120-277V) linear</p> <p>C2 ELV/Triac 1.0%, (120V) linear</p> <p>E1 0-10<sup>*</sup> 0.1%, UNV (120-277V) log</p> <p>E2 DALI-2<sup>*</sup> 0.1%, UNV (120-277V) log</p> <p>E3 0-10<sup>*</sup> 0.1%, UNV (120-277V) linear</p> <p>LD Digital Ecosystem<sup>*</sup> 1.0%, UNV (120-277V) ECO Hi-Lume SoftOn/Fade-to-Black LDE1</p> <p>TR2 TruPhase™ 0.1%, (120-120V) log Up to 20W Forward and Reverse compatible Phase Dimming Static White &amp; Ambient Dim only</p> <p><sup>*</sup> Requires remote mounting</p>	<p>V01 Clear Metalize</p> <p>V02 Black Metalize</p> <p>V03 Champagne Metalize</p> <p>V04 Gold Metalize</p> <p></p>	<p>A32 Clear Anodize</p> <p>A01 Black Anodize</p> <p>W White Paint</p> <p>C Custom/RAL Color<sup>*</sup></p> <p>AXX Specialty anodize color<sup>*</sup></p> <p>A1-A36</p> <p>PXX Specialty Paint Color<sup>*</sup></p> <p>P01-P15</p> <p>K Blank for use with Flangeless or Panel Mount</p> <p><sup>*</sup>See Finish Guide</p>	<p>CP Chicago Plenum</p> <p>EM Emergency Pack</p> <p>Controls</p> <p>LR Lutron Wireless RF PowPak</p> <p>ATH Lutron Athena Wireless Node <i>Must be used with E2 driver (DALI-2)</i></p> <p>CA Casambi Wireless BLE to be paired with driver</p>

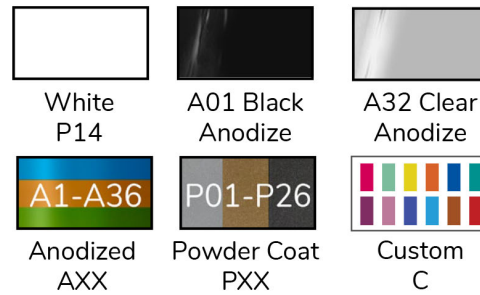
# Fixture Details

Receiver with integral plaster/trim attaching flange mounts to pan or housing with ceiling clamp. Body assembly attaches to receiver with ball plungers. Trim Flange (F option) attaches to receiver with magnets



### Flanged Finish Options

Black Anodize Flange Trim (A01) with Gold Bezel (V04)(shown)

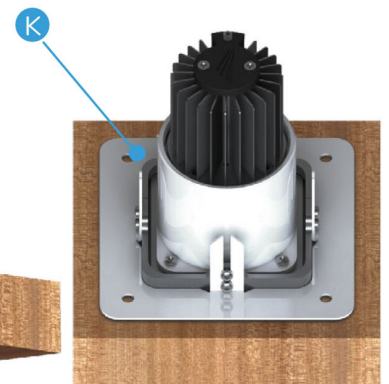


### Trim Bezel Finish Options



### Panel Trim Option

Panel Trim Mounting bracket must be attached to ceiling panel prior to ceiling installation



## Square Assembly Specs

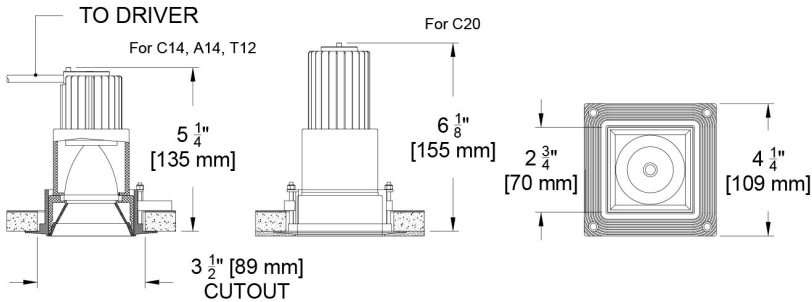
- A Receiver – High Grade Aluminum precision machined in U.S.A. with integral mud flange
- B Ceiling Clamp- Inserts into ceiling and automatically spreads during installation
- C 22AWG wire to Driver. Enclosed in flexible conduit connected to driver enclosure.
- D Thermal management system and body. High grade anodized aluminum, precision machined in the U.S.A.
- E LED Assembly- Field serviceable as part of thermal management system
- F Reflector optic- Field changeable
- G Bezel holder- Precision machined in the U.S.A. with ball stud attachment feature for solid locking and field service
- H Trim Bezel, Molded Polycarbonate finished with 4 color options
- I Integral driver and enclosure – UL approved for IC-serviceable from below the ceiling
- J Finish Trim Flange magnetically attached (flange option)
- K Receiver and mounting bracket for Panel Trim/ millwork wood ceiling



# Ceiling Cutouts and Dimensions

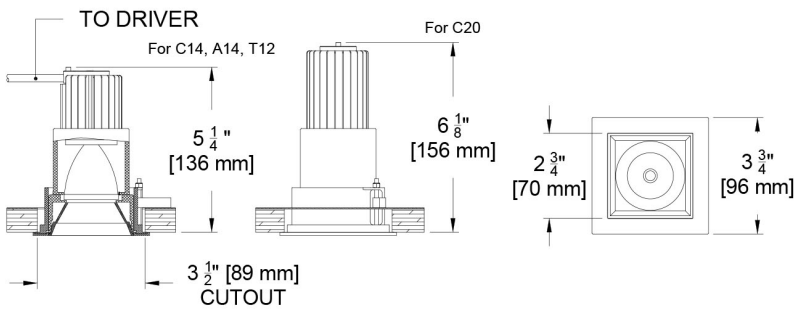
## Square New or Bracket Pan Flangeless Trim (Z)

(SCW3D-S-Z-BP / NP-)



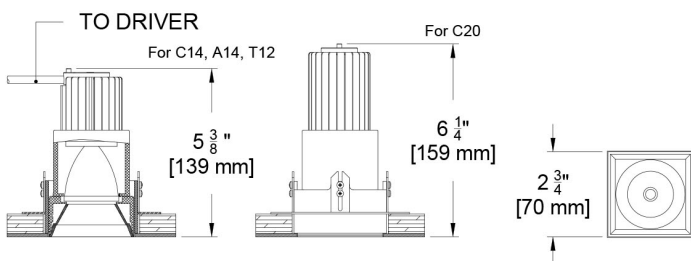
## Square New or Bracket Pan Flanged Trim (F)

(SCW3D-S-F-BP / NP-)

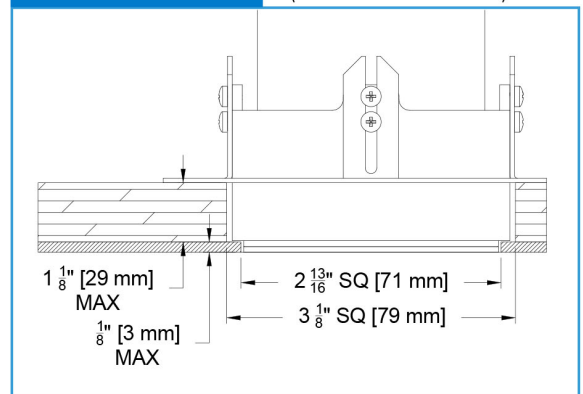


## Square Panel Mount

(SCW3D-S-F-PM-)



### Panel Mount Detail (SCW3D-S-Z-PM-)

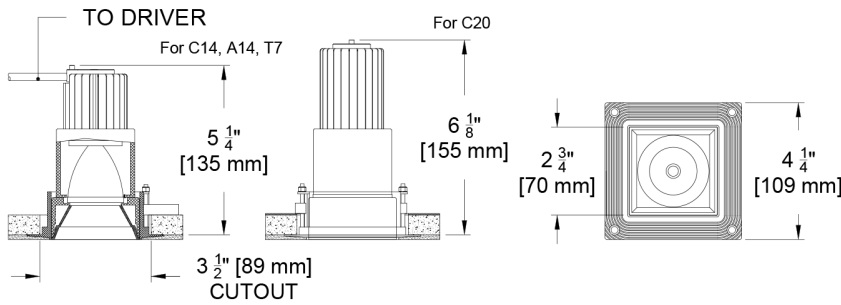


# Ceiling Cutouts and Dimensions

## Square Remodel

## Flangeless Trim (Z)

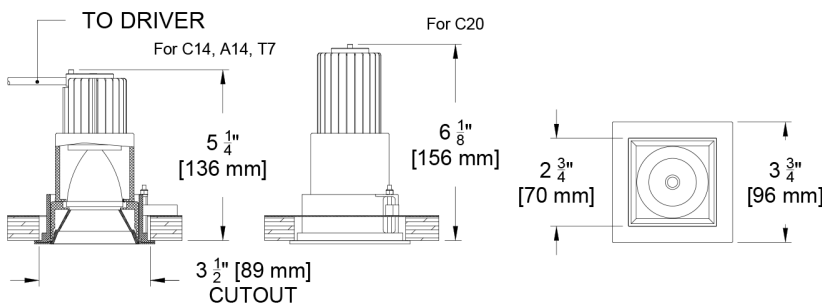
(SCW3D-S-Z-RM-)



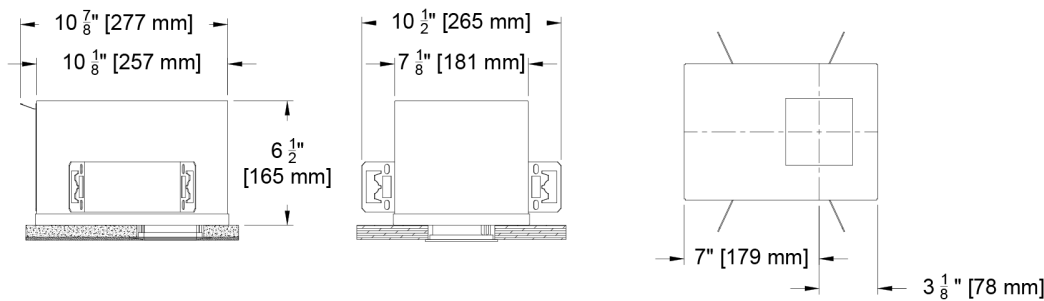
## Square Remodel

## Flanged Trim (F)

(SCW3D-S-F-RM-)

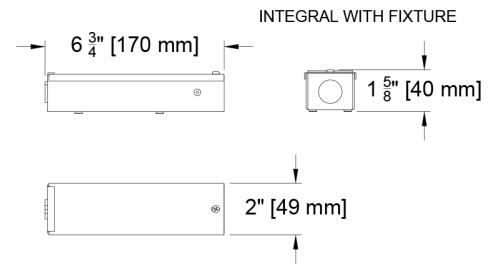


## Square Airtight (AT)



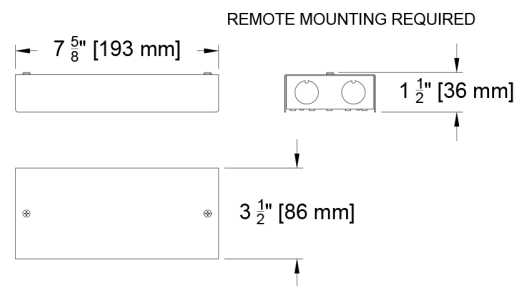
## Driver Enclosure

## for C1, C2 TR2



## Driver Enclosure

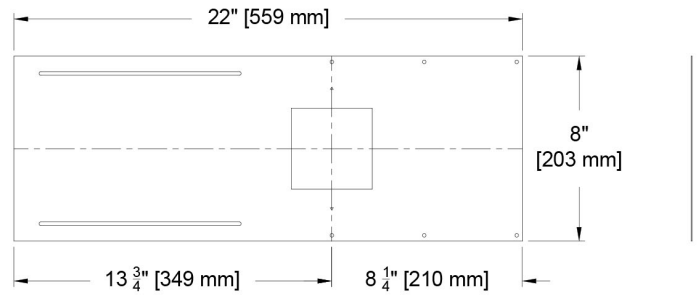
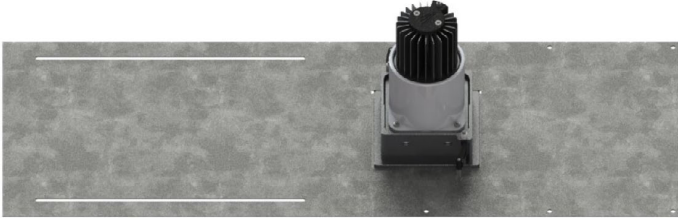
## for E1, E2, E3, E4, LD



# Mounting Options

## New Pan (SCW3D-S-X-NP)

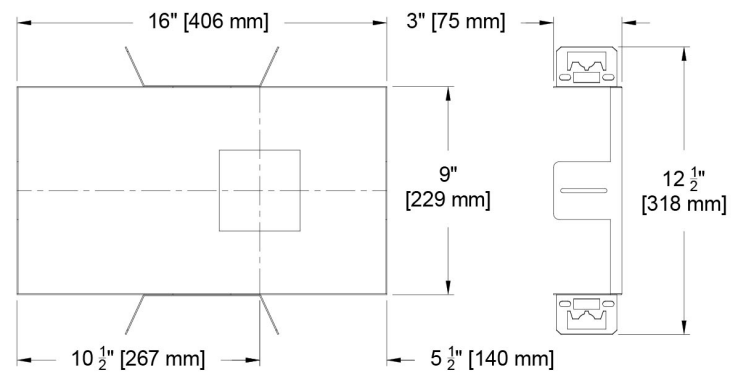
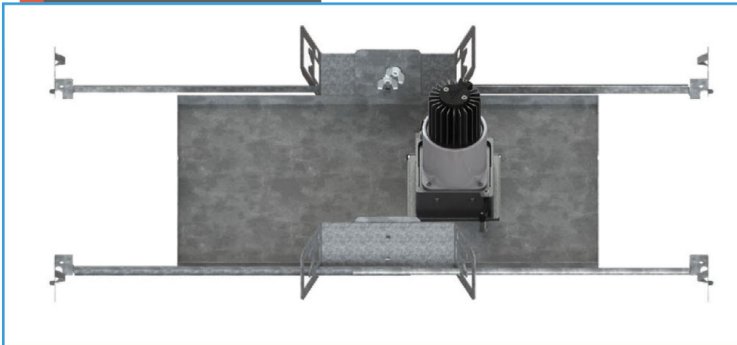
For new construction and attachment to bottom of studs



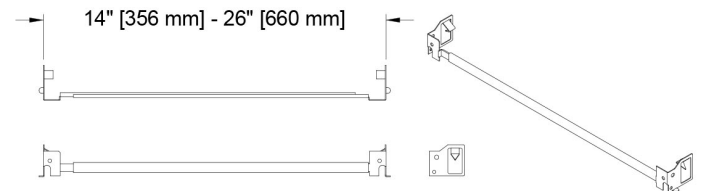
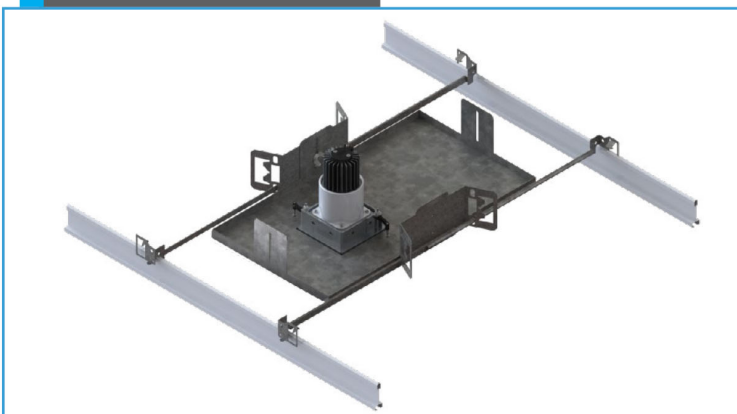
## Bracket Pan (SCW3D-S-X-BP)

For new construction using hanger bars for attaching to studs or drop ceiling

### Option 1- Attaching to Studs



### Option 2- Attaching to Drop Ceiling



Note: For panel trim mounting see page 3 for picture of detail or refer to installation instructions

# Photometric Table

All data below are delivered lumens based on goniometer measurements of production representative product. All lumen values can vary +/- 10% from LED manufacturer rated flux range.

SQUARE Beamspreads		20°					24°					36°				
Source	System watts (W)	Delivered Lumens (lm)	Lumens/Watt	UGR	Peak (fc)	10% Field	Delivered Lumens (lm)	Lumens/Watt	UGR	Peak (fc)	10% Field	Delivered Lumens (lm)	Lumens/Watt	UGR	Peak (fc)	10% Field
Citizen C14	14	1078	77	12	6599	40°	1013	72	12	5501	42°	1075	77	13	3375	49°
Citizen C20	21	1479	70	13	9257	40°	1389	66	13	7576	41°	1478	70	13	4633	49°
Ambient Dim A14	15	750	51	13	5586	38°	668	46	12	4240	39°	739	51	13	2949	46°
Tunable White - 1840	10	491	52	13	2967	40°	466	49	13	2374	42°	490	52	12	1525	48°
Tunable White - 2765	10	640	67	11	3786	41°	595	63	7	3060	42°	649	68	10	1953	49°
CCT Multiplier		<p style="text-align: center;"><b>Beam angle</b> <b>20.8°</b></p>					<p style="text-align: center;"><b>Beam angle</b> <b>23.6°</b></p>					<p style="text-align: center;"><b>Beam angle</b> <b>35.2°</b></p>				
CCT	Citizen															
2700	0.95															
3000	1.00															
3500	1.02															
4000	1.03															
<p>All measurements are delivered lumens based on 3000K unless otherwise noted below. Ambient Dim measured at full output. Tunable White measurements at mid-point CCT of range (2700K for TW18 and 4500K for TW27 source). ISO CD Plots based on C20 Source. UGR values based on 4H 3H row.</p>																

# Color Data

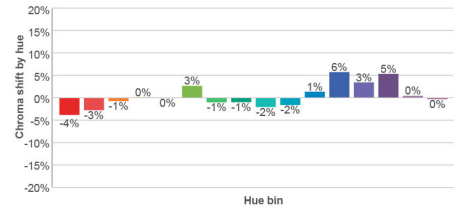
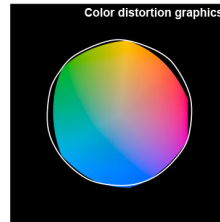
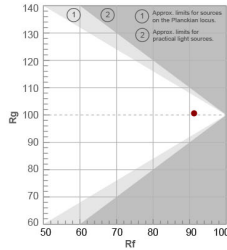
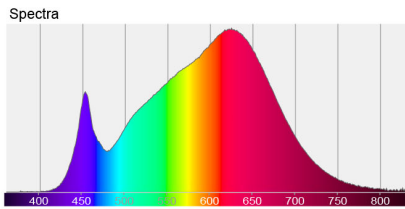
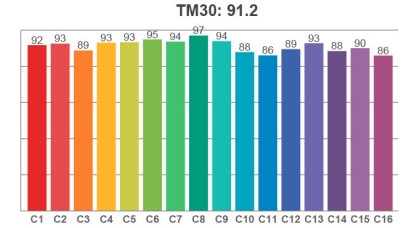
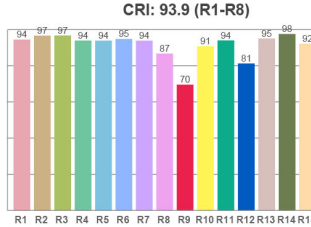
Color and flux information based on goniometer measurements of production representative product. All values can vary +/- 10% from LED manufacturer rated data range as listed on their datasheet. See specific PDF photometric reports found in the photometric dropdown in the product landing page for more specific color information.

## Citizen Source C14, C20

- <2 MacAdam Ellipse (<2 SDCM)
- 90+ CRI and RF
- 60+R9, Hue Bin 1

94 CRI    70 R9

91 RF    100 RG

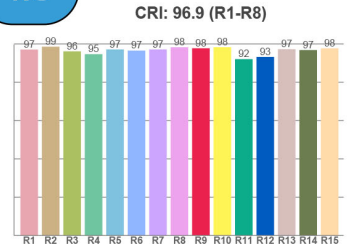
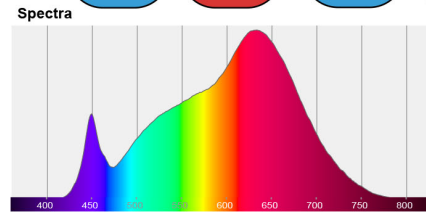


## Ambient Dim Source A14 (AD - 3000k to 1900k)

- <3 MacAdam Ellipse (<3 SDCM)
- 95+ CRI and RF
- 90+R9, Hue Bin 1
- Follows Black Body Locus through dimming range

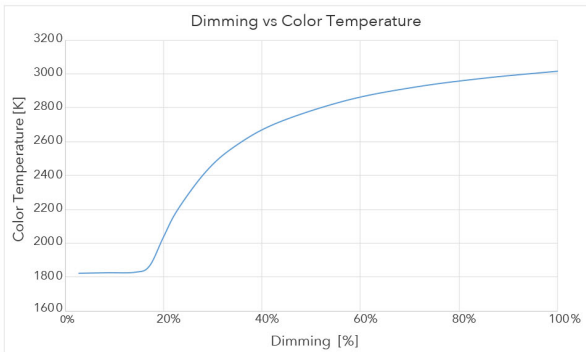
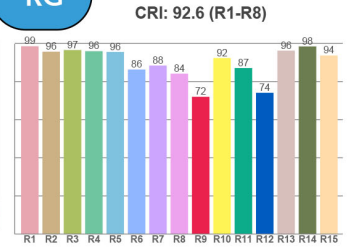
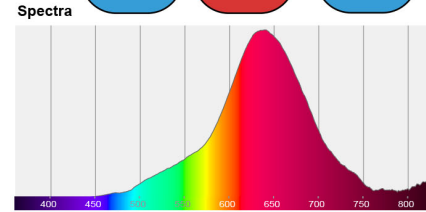
### 3000 CCT Full Output

97 CRI    98 R9    95 RF    104 RG



### 1850 CCT 5% Output

93 CRI    72 R9    83 RF    110 RG

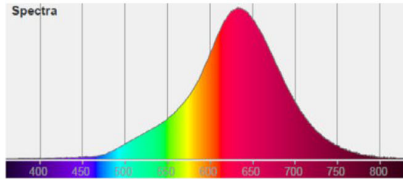


## Tunable White source T7 - CCT 1840 (1800k to 4000k)

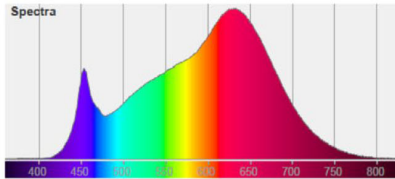
- <3 MacAdam Ellipse (<3 SDCM)
- 94 CRI average across all CCTs
- 76 R9 average across all CCTs
- Available with wired or wireless control

TUNABLE WHITE - 1800-4000K							
<b>Color Temp</b>	1800	2200	2500	2700	3000	3500	4000
<b>System Watts</b>	10	10	10	10	10	10	10
<b>Delivered Lumens</b>	379	433	468	491	539	571	571
<b>Luminaire Efficiency</b>	40	46	49	52	57	60	60
Flux and Color data based on 20° measurement at 2700k. All other values are extrapolated from actual and analytical tests							

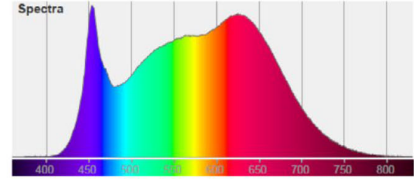
Spectral Power Distributions at all listed CCTs available upon request



1800K



3000K



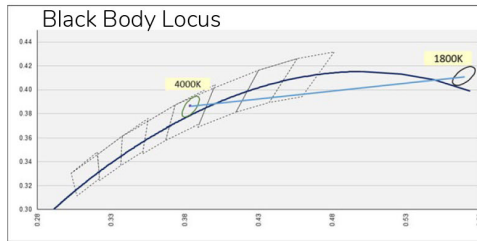
4000K

94 CRI

76 R9

89 RF

97 RG

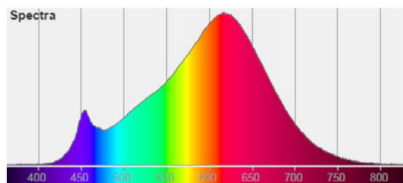


## Tunable White source T7 - CCT 2765 (2700k to 6500k)

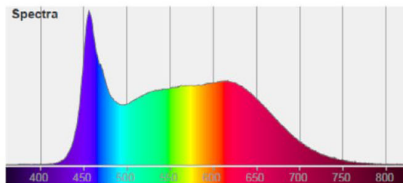
- <3 MacAdam Ellipse (<3 SDCM)
- 94 CRI average across all CCTs
- 96 R9 average across all CCTs
- Available with wired or wireless control

TUNABLE WHITE - 2700-6500K									
<b>Color Temp</b>	2700	3000	3500	4000	4500	5000	5500	6000	6500
<b>System Watts</b>	10	10	10	10	10	10	10	10	10
<b>Delivered Lumens</b>	602	620	640	640	640	639	638	636	644
<b>Luminaire Efficiency</b>	63	65	67	67	67	67	67	67	68
Flux and Color data based on 20° measurement at 4500k. All other values are extrapolated from actual and analytical tests									

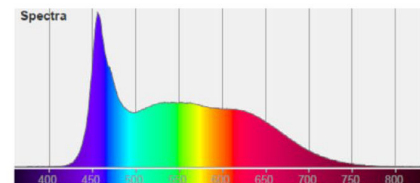
Spectral Power Distributions at all listed CCTs available upon request



2700K



5000K



6500K

96 CRI

96 R9

91 RF

99 RG

